

Dual Monitor 4K 10.2Gbps HDMI USB KVM Extender Over IP via Two CATx Cables with Video Wall Support

XTENDEX®

Extend two 4Kx2K 30Hz HDMI monitors, Audio, USB keyboard, and USB mouse up to 492 feet using Gigabit Ethernet. Create video walls up to 4x4 – 16 screens.

- Supports Ultra-HD 4Kx2K resolutions to 3840x2160 (30Hz), 2K resolution 2048x1080, HDTV resolutions to 1080p, and up to 1920x1200 (WUXGA).
 - Extend 4Kx2K up to 492 feet in a Point-to-Point connection.
 - Extend 4Kx2K up to 984 feet in a Point-to-Point, Point-to-Many, or Many-to-Many connection via a managed Gigabit network switch.
 - ◆ The max length between most switches and the local/remote unit is 492 feet.
 - ◆ The switch itself will determine the maximum distance.
- HDMI features supported:
 - HDMI 1.4
 - x.v.Color, sYCC601 color, Adobe RGB Color and Adobe YCC601 color
 - Dolby TrueHD, LPCM 7.1, DTS-HD Master Audio, Dolby Digital, and DTS
 - Bandwidth up to 340 MHz (10.2 Gbps)
 - Lip Sync
- HDCP 1.4 compliant.
- USB ports for keyboard, mouse, flash drive, HDD or touchscreen display.
 - Two USB 2.0 and two USB 1.1 connectors.
 - Keyboard and mouse are hot-pluggable.
- Supports video wall installations from 1x2 to 4x4 screens.
 - Displays can be rotated 180 and 270°.
- Plug-and-Play installation allows receivers to find the transmitter automatically on the same network. (Network configuration may be required for managed network switch.)
- Support for Point-to-Many or Many-to-Many connections requires a managed Gigabit network switch with IGMP support and Jumbo frame support.
 - Manage transmitter/receiver connections and video wall configuration with web interface or network switch that supports VLAN.
 - ◆ Each VLAN acts as a separate HDMI Over IP Channel on the network.
- When using multiple remote units, there are two USB control modes - Exclusive Mode and Sharing Mode.
 - USB Exclusive Mode: Only one remote unit can have USB control over the source computer at any time.
 - USB Sharing Mode: Multiple remote units share the control of the source computer.
 - ◆ Up to 5 USB devices will be recognized by the computer.
- Customizable EDID table on local unit.
- Supports the DDC2B protocol.
- Easily expandable – add receivers as you add control stations.
- Integrated mounting brackets for easy surface/wall mounting.



**XTENDEX® ST-IPUSB4K-VWDH
(Local & Remote Units)**

- **Dual Head**
- **Supports Point-to-Point, Point-to-Many, and Many-to-Many connections.**
- **4 USB connectors for keyboard, mouse, flashdrive, HDD, or touchscreen display.**
- **Supports video wall installations from 1x2 to 4x4 screens.**

The XTENDEX® Dual Monitor 4K 10.2Gbps HDMI USB KVM Over IP Extender provides remote KVM (USB keyboard, USB mouse, and two 4Kx2K 30Hz HDMI monitors) access to a dual-head USB computer up to 492 feet (150 meters) via two CAT6/6a/7 cables.

Each KVM extender consists of the ST-IPUSB4K-L-VWDH local unit that connects to a dual-head computer and also supplies video to two local monitors, and the ST-IPUSB4K-R-VWDH remote unit that connects to two HDMI monitors, 3.5mm stereo audio speakers and microphone, and up to four USB devices (keyboard, mouse, flash drive, HDD, or touchscreen display).

The local and remote units can be connected together for a Point-to-Point connection via CATx cable, or a Point-to-Many or Many-to-Many connection via a managed Gigabit network switch.

Dual Monitor 4K 10.2Gbps HDMI USB KVM Extender Over IP via Two CATx Cables with Video Wall Support

XTENDEX®

Extend two 4Kx2K 30Hz HDMI monitors, Audio, USB keyboard, and USB mouse up to 492 feet using Gigabit Ethernet. Create video walls up to 4x4 – 16 screens.

Specifications

Local Unit

- Compatible with a dual-head USB computer (PC, SUN and MAC) with Ultra-HD HDMI output.
- Multiplatform support: Windows 2000/XP/Vista/7/8/10, Windows Server 2000/2003/2008/2012/2016/2019, Solaris, Linux, FreeBSD, and MAC OS 9/10.
- Two female HDMI connectors for source.
- Two female HDMI connectors for displays.
- One female USB Type B connector.
- Two female 3.5mm stereo jacks for audio out and mic in.
 - Speaker only works when in a point-to-point connection.
- Two female RJ45 ports for sending/receiving high definition video/ audio and USB signals.

Remote Unit

- Two female HDMI connectors.
- Four female USB Type A connectors for keyboard, mouse, flashdrive, HDD, or touchscreen display.
 - Two USB 2.0 and two USB 1.1
- Two female 3.5mm stereo jacks for audio out and mic in.
 - Microphone only works when in a point-to-point connection.
- Two female RJ45 ports for sending/receiving high definition video/ audio and USB signals.
- Supported video resolutions:
 - Ultra-HD 4Kx2K resolutions (3840x2160 @ 30Hz)
 - 2K Cinema (2048x1080 @ 60Hz)
 - HDTV resolutions to 1080p
 - Up to 1920x1200 (WUXGA)
- Supports embedded digital audio through HDMI compatible TVs or audio receivers.

Power

- Local and remote unit:
 - Input: 100 to 240 VAC at 50 or 60 Hz via AC adapter (included.)
 - Output: 12 VDC, 5A
- Power consumption:
 - Local unit: 13.2W
 - Remote unit: 8.4W

Dimensions

- Local and remote unit:
 - WxDxH (in): 6.30x4.33x1.99 (160x110x51 mm).

Environmental

- Operating temperature: 32 to 122°F (0 to 50°C).
- Storage temperature: -4 to 185°F (-20 to 85°C).
- Operating/storage relative humidity: 0 to 80% non-condensing RH.

Regulatory Approvals

- CE, FCC, RoHS
- TAA compliant

Warranty

- Two years

Max Distance

- 492 feet in a Point-to-Point connection.
- 984 feet in a Point-to-Point, Point-to-Many, or Many-to-Many connection via a managed Gigabit network switch.
 - The max length between most switches and the local/remote unit is 492 feet.
 - The switch itself will determine the maximum distance.

Cables

- Cables included with local unit:
 - Two 6.56 ft (2 m) male to male HDMI cable.
 - One 6 ft (1.8 m) male USB Type A to male USB Type B cable.
 - One 5 ft (1.5 m) male to male 3.5mm stereo audio cable.
- Use HD-xx-MM HDMI cables to connect an HDMI source or display up to 20 feet (not included).
- Use HD-ACT-xx-MM 4K HDMI Active Cables to connect an HDMI source or display up to 100 feet (not included).
- Use DP-HD-xx-MM cables to connect a DisplayPort source (not included).
- Use DVI-HD-xx-MM cables to connect a DVI source or display (not included).
 - Does not support 4Kx2K resolutions.
- Use CAT6/6a/7 straight through cable with TIA/EIA-568B wiring terminated with standard RJ45 connectors (not included).

Dual Monitor 4K 10.2Gbps HDMI USB KVM Extender Over IP via Two CATx Cables with Video Wall Support

NTI Part #	Local or Remote Unit
ST-IPUSB4K-L-VWDH	Local
ST-IPUSB4K-R-VWDH	Remote

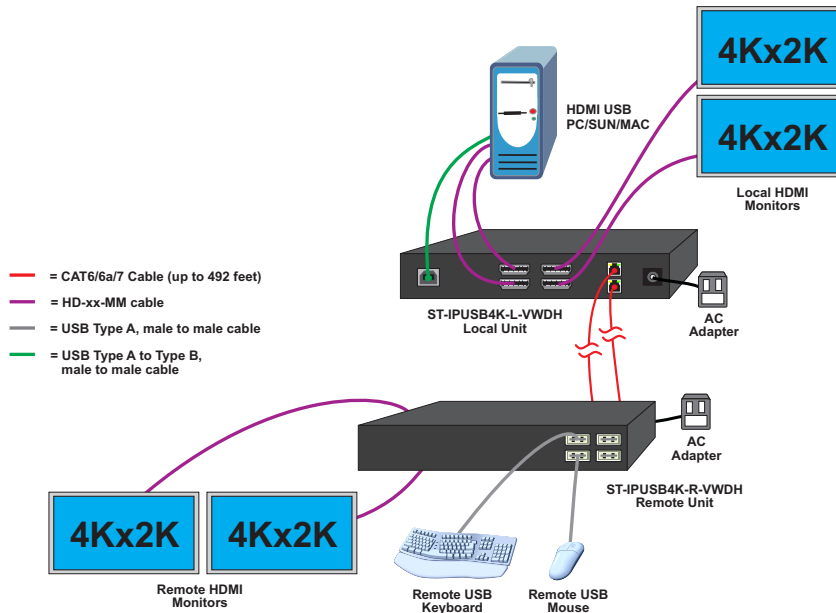
Dual Monitor 4K 10.2Gbps HDMI USB KVM Extender Over IP via Two CATx Cables with Video Wall Support

XTENDEX®

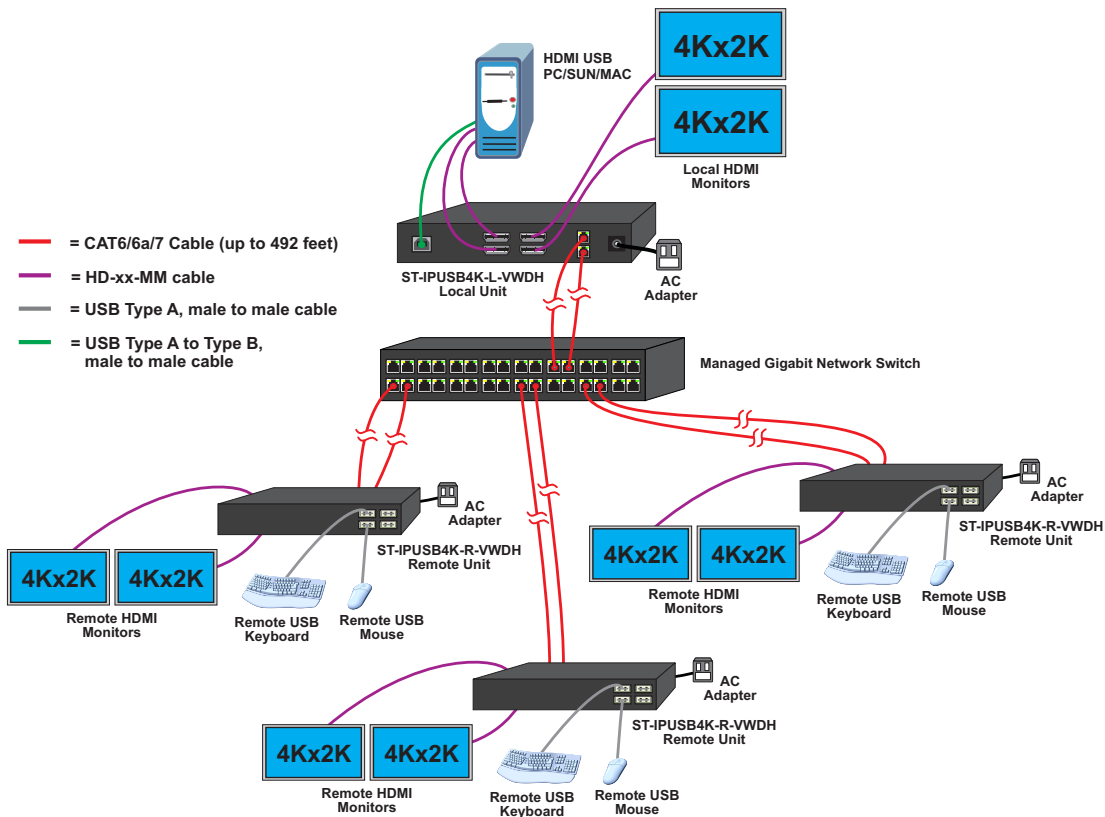
Extend two 4Kx2K 30Hz HDMI monitors, Audio, USB keyboard, and USB mouse up to 492 feet using Gigabit Ethernet. Create video walls up to 4x4 – 16 screens.

Configuration and Cable Illustrations

Point-to-Point Connection



Point-to-Many Connection



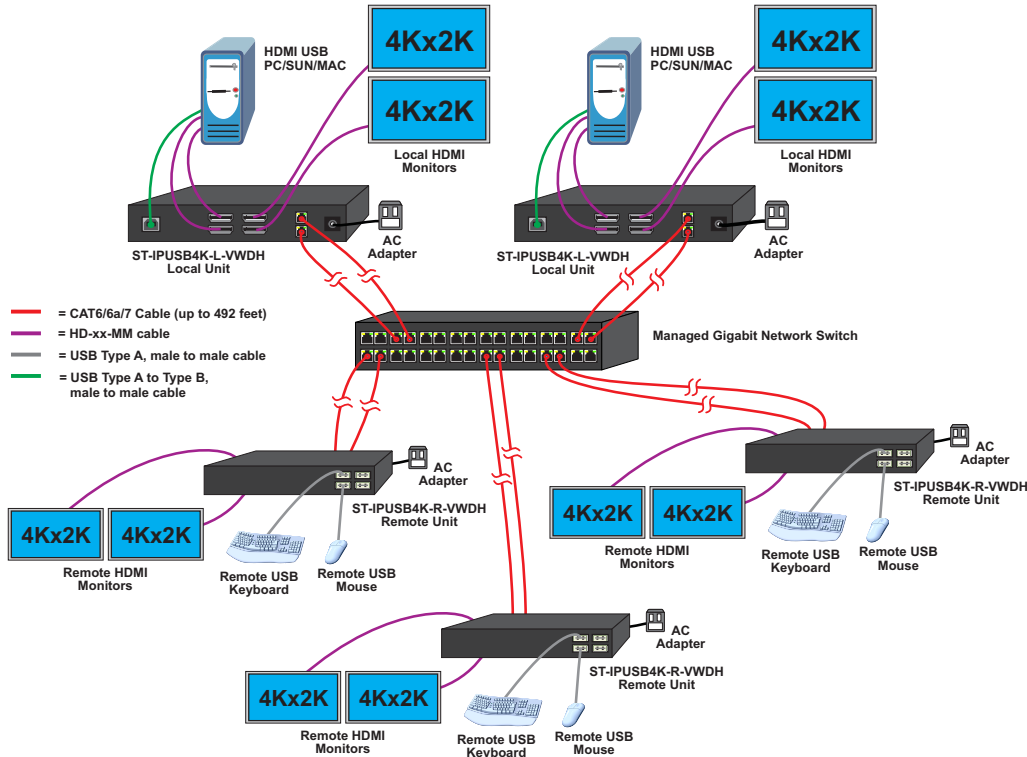
Dual Monitor 4K 10.2Gbps HDMI USB KVM Extender Over IP via Two CATx Cables with Video Wall Support

XTENDEX®

Extend two 4Kx2K 30Hz HDMI monitors, Audio, USB keyboard, and USB mouse up to 492 feet using Gigabit Ethernet. Create video walls up to 4x4 – 16 screens.

Configuration and Cable Illustrations

Many-to-Many Connection



How to Configure a Video Wall

